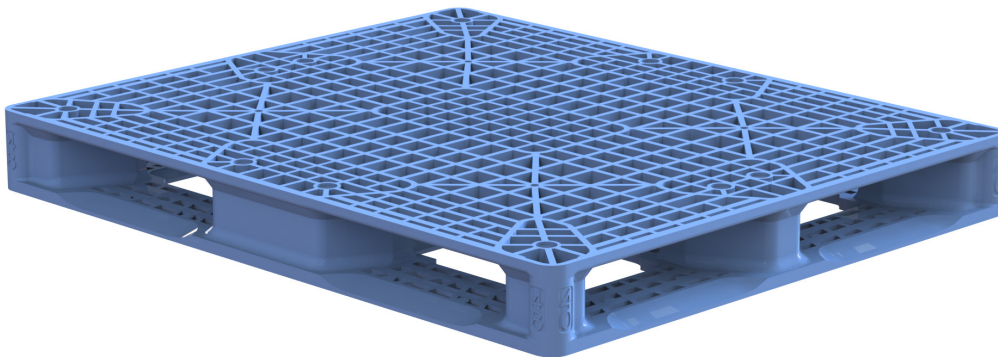
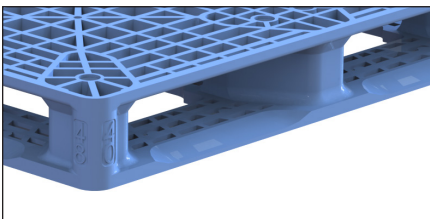


ProTech Pallet

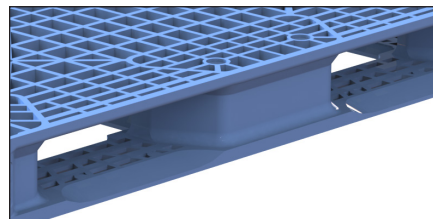


Features:

- One-piece molded flow-through pallet design
- High-density polyethylene structural foam that resists mold, bacteria and insect infestation
- Fire retardant - FM approved options available
- Dramatically thicker leg design for better impact protection and greater durability
- Larger tapered forklift pockets
- Four-way forklift and pallet jack entry (13.8" wide block)
- Superior strength-to-weight ratio
- Easily cleaned and sanitized between uses
- Intermittent perimeter lip
- Molded-in or hot-stamped logo/company ID
- Rubber grommets



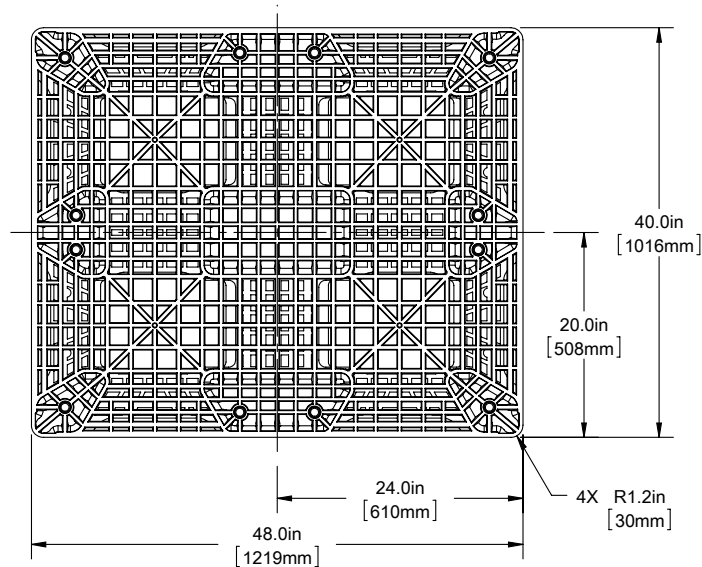
Large tapered forklift pockets



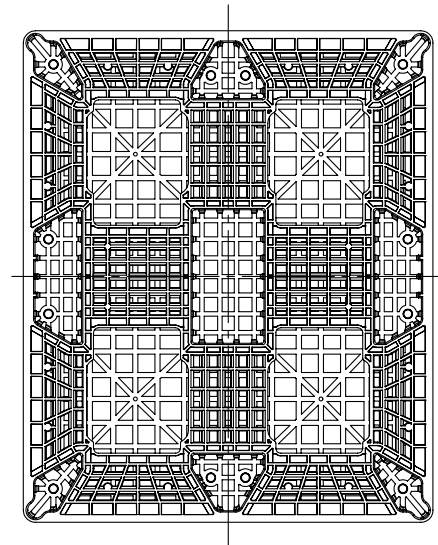
Narrower center block allows four-way entry



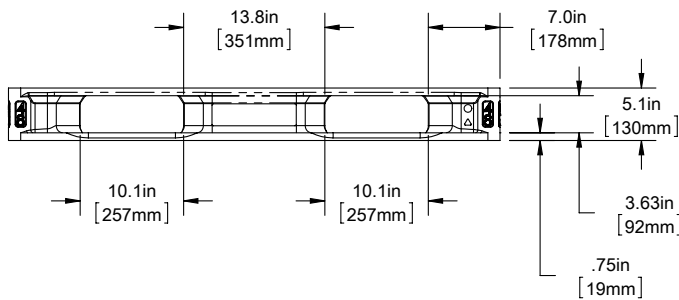
ProTech Pallet



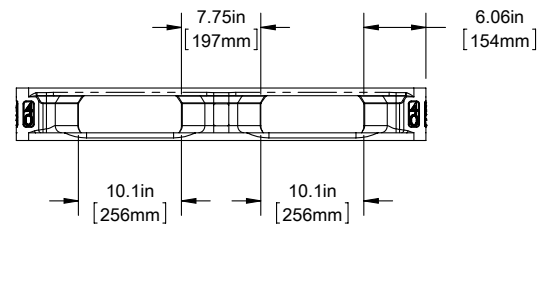
TOP VIEW



BOTTOM VIEW



SIDE VIEW - 48"



SIDE VIEW - 40"

40" X 48" ProTech Pallet

DIMENSIONS				LOAD RATINGS (lbs.)				TRUCKLOAD CAPACITY	OCEAN CONTAINERS
Width	Length	Height	Weight	Static	Dynamic	Selected Edge Racking	Supported Racking	53'	40' HC
40 in.	48 in.	5.12 in.	42 lbs.	30,000	4,000	N/A Unitized load at 72°F	4,000	QTY 600	QTY 420



Contact Us For A Quote!
610.325.7500 info@ProStack.com