

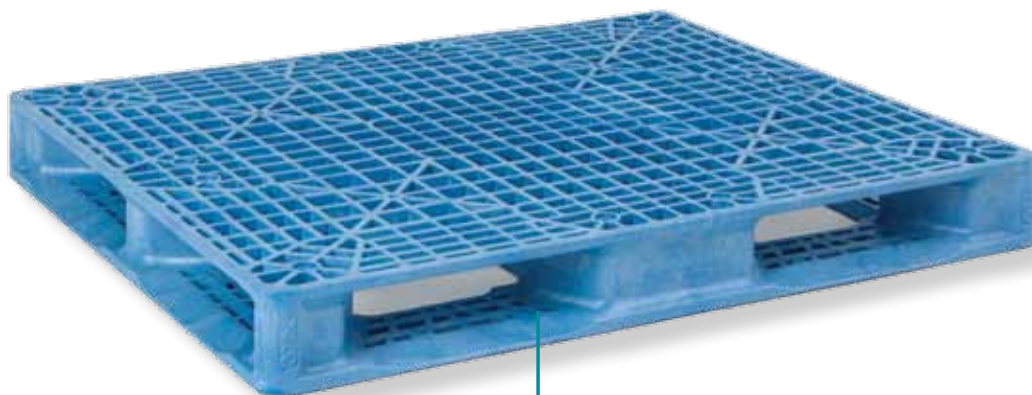


**Polymer
Solutions
International, Inc.**

Safe • Strong • Durable

ProStack® Pallets

ProTech



Features

- One-piece molded flow-through pallet design
- High-density polyethylene structural foam that resists mold, bacteria and insect infestation
- Fire Retardant - FM approved options available
- Dramatically thicker leg design for better impact protection and greater durability
- Larger tapered forklift pockets
- Four-way forklift and pallet jack entry (13.8" wide block)
- Superior strength-to-weight ratio
- Easily cleaned and sanitized between uses

Large Tapered
Forklift Pockets



Narrower Center Block
Allows Four-Way Entry



Options

- Intermittent perimeter lip
- Molded-in or hot-stamped logo/company ID
- Rubber grommets

SUPPORTING MEMBERS OF



**Polymer
Solutions
International, Inc.**

Contact us for more information:

TEL (610) 325-7500

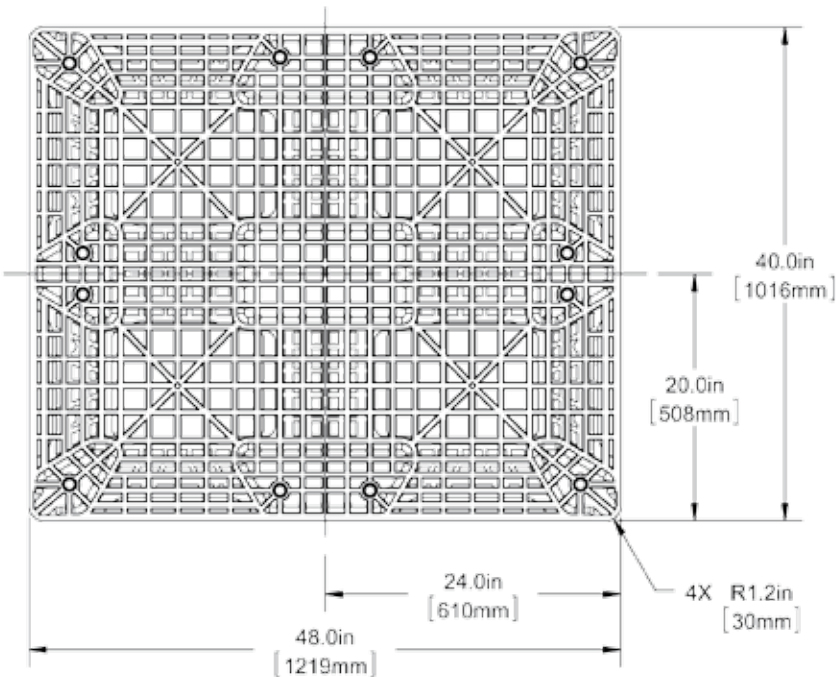
P.O. Box 310

FAX (610) 356-6327

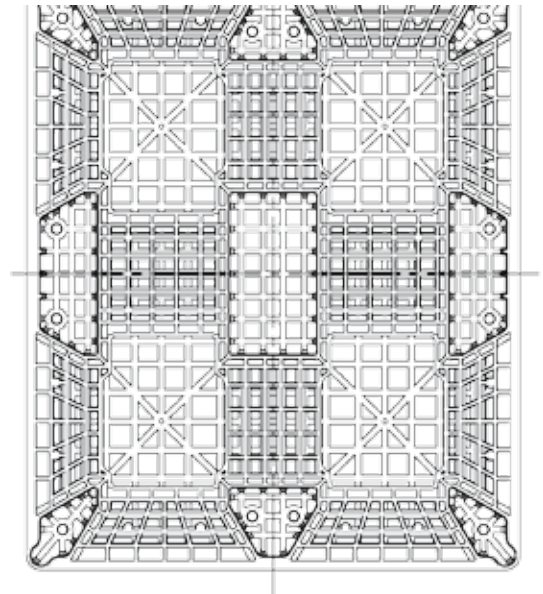
Newtown Square, PA 19703

Call Us! Toll Free (877) 444-7225 (RACK)

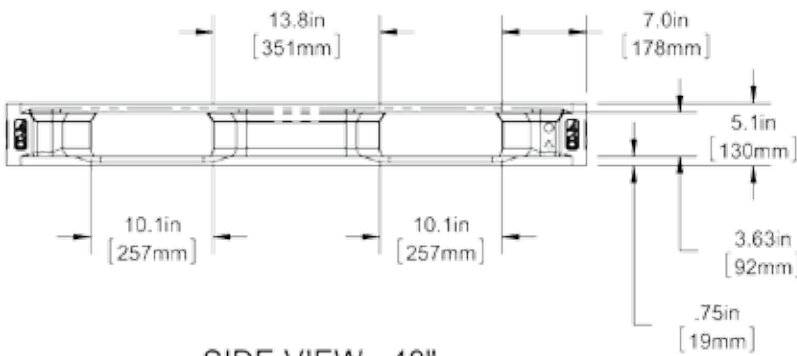
info@prostack.com | www.prostack.com | www.prostackpallets.com



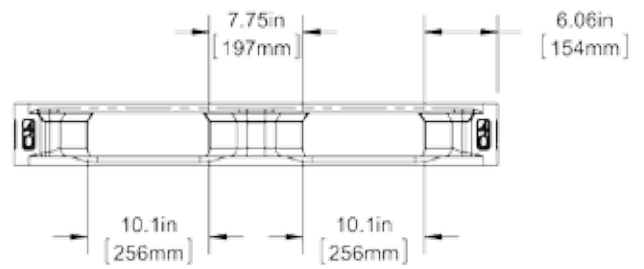
TOP VIEW



BOTTOM VIEW



SIDE VIEW - 48"



SIDE VIEW - 40"

40" x 48" Full Perimeter

Specifications	Dimensions				Load Rating (lbs.)				Truckload Capacity	Ocean Containers
	Width	Length	Height	Weight	Static	Dynamic	Selected Edge Racking*	Supported Racking	53'	40'
ProTech	40in.	48in.	5.12 in.	42 lbs.	30,000	4,000	N/A	4,000	600 pallets	420 pallets

*Unitized load at 72°F



Polymer Solutions International, Inc.

Contact us for more information:

TEL (610) 325-7500

P.O. Box 310

FAX (610) 356-6327

Newtown Square, PA 19703

Call Us! Toll Free (877) 444-7225 (RACK)

info@prostack.com | www.prostack.com | www.prostackpallets.com