

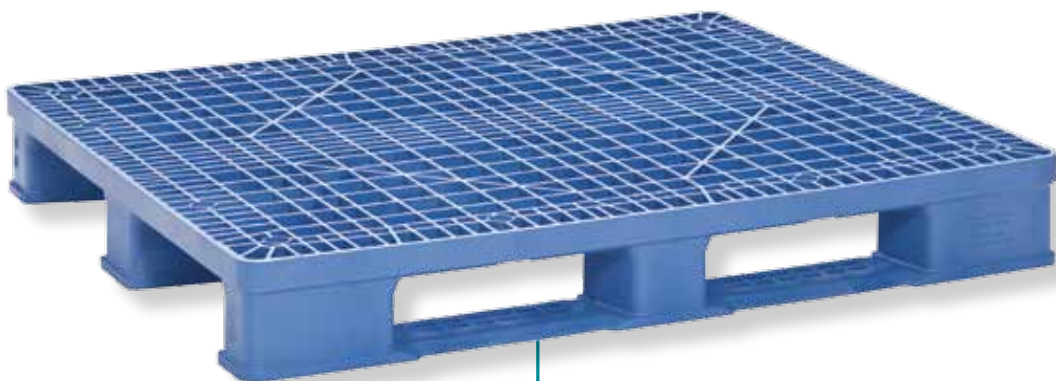


**Polymer
Solutions
International, Inc.**

Safe • Strong • Durable

ProStack® Pallets

ProGenic-3 Stringer



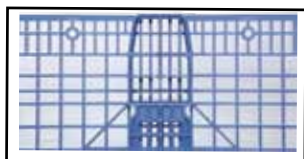
Features

- Hygienic
- Flow Through Design
- Easy to inspect
- One Piece
- Fire Retardant- FM approved- Non-deca BDE
- Anti-microbial additive options available
- 4-way entry for forklift and pallet jacks
- Ideal for Food, Pharmaceutical and Medical applications
- Decoration Options: Hotstamp or Molded-In Logo

Grommets Optional



Hygienic Flow Through Design



6-inch HD/
5-inch LD models



SUPPORTING MEMBERS OF



**Polymer
Solutions
International, Inc.**

Contact us for more information:

TEL (610) 325-7500

P.O. Box 310

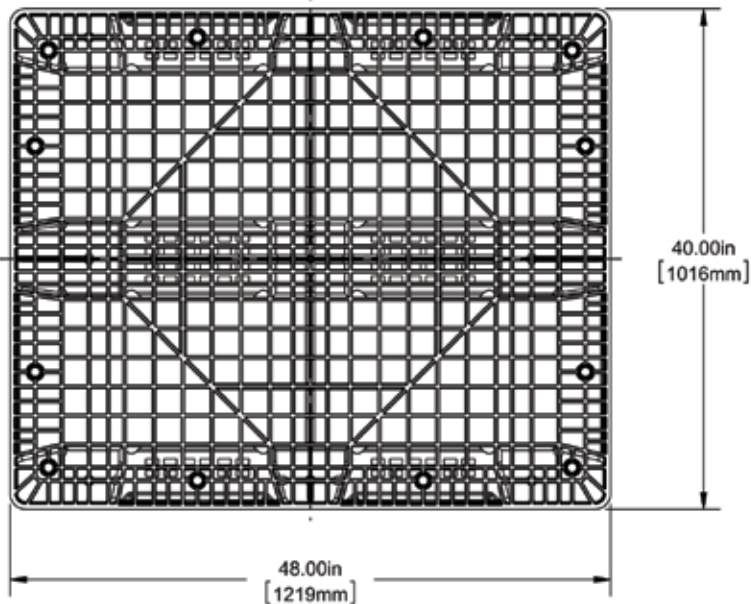
FAX (610) 356-6327

Newtown Square, PA 19703

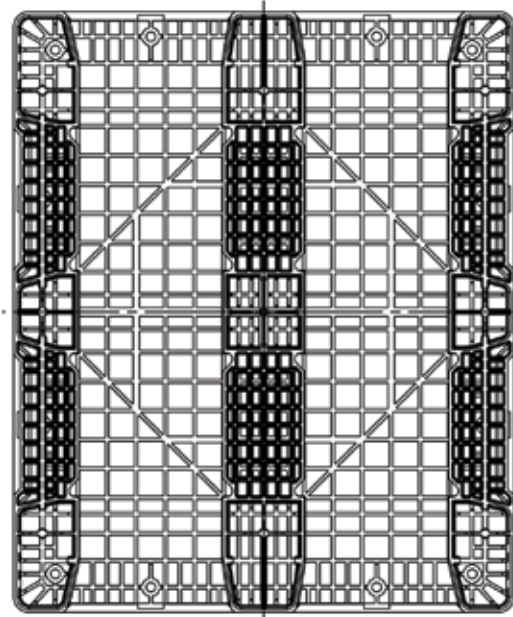
Call Us! Toll Free (877) 444-7225 (RACK)

info@prostack.com | www.prostack.com | www.prostackpallets.com

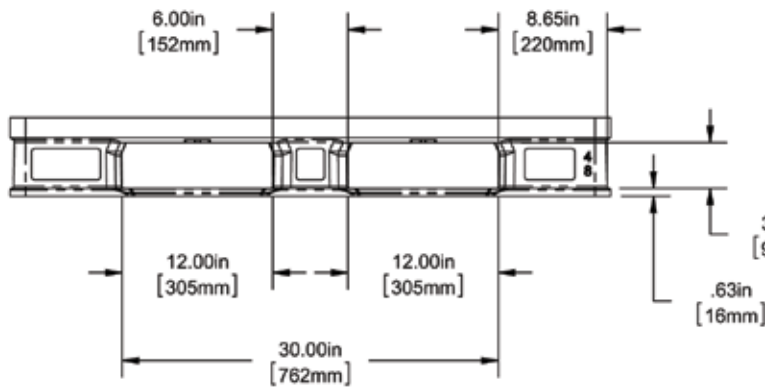
ProGenic-3 Stringer



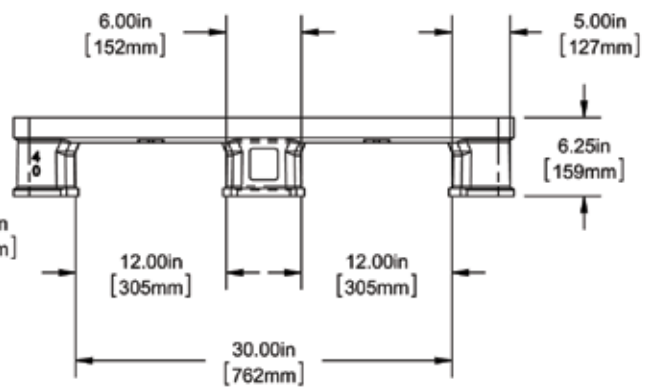
TOP VIEW



BOTTOM VIEW



SIDE VIEW - 48"



SIDE VIEW - 40"

40" x 48" Full Perimeter

Specifications	Dimensions				Load Rating (lbs.)				Capacity	
	Width	Length	Height	Weight	Static	Dynamic	Selected Edge Racking*	Supported Racking	53' Truckload	40' Ocean Container
Progenic 3 Stringer 5in.	40in.	48in.	5.13 in.	27 lbs.	20,000	4,000	N/A	4,000	QTY 600	QTY 420
Progenic 3 Stringer 6in.	40in.	48in.	6.25 in.	43 lbs.	20,000	5,000	N/A	5,000	QTY 510	QTY 340

*Unitized load at 72 °F



**Polymer
Solutions
International, Inc.**

Contact us for more information:

TEL (610) 325-7500

P.O. Box 310

FAX (610) 356-6327

Newtown Square, PA 19703

Call Us! Toll Free (877) 444-7225 (RACK)

info@prostack.com | www.prostack.com | www.prostackpallets.com